

3 Way Control Valve

3/2 Way Pneumatic Actuator Operated 42 Kg mixing diverting normally close & normally open type Control Valve.



Size Range : 1/2" to 2"

Actuator

Body	SS 304 Pressed
Cover Flange	Aluminum Pressure Die-Cast
Spring	Spring Steel (IS 4454 Gr. III)
Port Connection	1/4" BSP (NPT on request)
Operating Pressure	3.5 to 7 Bar
Position Indicator	Nylon
Operating Cycles	350 to 650 Cycles / Hr
Media	Dry Lubricated Air/Inert Gases. BKL Moisture Separators are advised to use in line

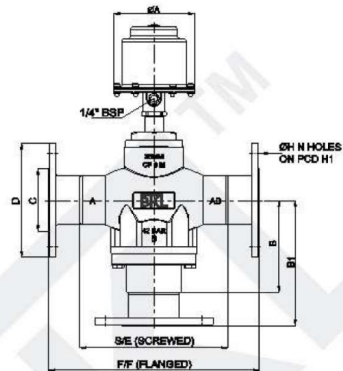
Valve

Size	1/2" to 2" Screwed / Flanged
Body	ASTM A351 Gr. CF8 / CF8M / CF3M
Steam Packing	PTFE upto 180°C, Self-compensating (Spring Loaded)
Trim / Spindle	Stainless Steel 304/316/316L
Seat	Soft Seat (PTFE)
Gland Packing	Teflon 'V' seals, backed by graphite wiper seal (Self Compensating)
Body Test Pressure	42 Bar Maximum
End Connections	Female Screwed to BSP or NPT / Flange / Triclover
Leakage	Drop tight / bubble tight, class IV ANSI B 16, 104, 1976
Operating Temp.	On steam - Continuous 155°C, Intermittent 180°C Maximum (High Temp. above 180°C - On Request)
Media	Air, Water, Oil, Gas, Steam & Chemical

Dimensions :

SIZE		ØA	B	B1	C	D	H	H1	N	S/E	F/E	Approx Weight	
MM	IN.											S/E	F/E
15	1/2"	102	50	83	35	89	16	60	4	85	151	1.760	3.000
20	3/4"	102	66	130.5	43	98.5	16	70	4	110	185	2.220	3.560
25	1"	102	72	106.5	51	108	16	79.5	4	120	189	3.000	4.900

All Dimensions are in (mm.)



Dimensions :

SIZE		ØA	B	B1	C	D	H	H1	N	S/E	F/E	Approx Weight	
MM	IN.											S/E	F/E
40	1.1/2"	134	91	132	73	127	16	98.5	4	150	232	7.320	10.240
50	2"	134	100	146.5	92	152	19	120	4	190	283	10.440	14.560

All Dimensions are in (mm.)

