

## Knife Gate Valves

pneumatic cylinder operated knife edge gate valve.

**Size Range : 2" To 24"**



### Specifications

Size	50NB - 600NB Above 600NB Consult Factory
Pressure	150 PSI.
Temperature	0°C - 500°C
Body, Chest	Solid One Piece Casting of Cast Iron Fg 260 Cast Steel Gr WCB, CF8, CF8M
Seat	Integral to Body, Soft, Optional.
Gate	AISI SS 304, 316, 316L
Screw Spindle	AISI SS 304, 410, 304, 316
Nut	Brass
Yoke	Plate Type of MS
Gland Follower	Cast Iron, Cast Steel, Ductile Iron, CF8, CF8M
Hand Wheel	Cast Iron, Cast Steel, Ductile Iron
Gland Packing	PTFE, PTFE Impregnated
Ends	Lugged
Port	Standard [Round] Optional V Port, Diamond Port

### MATERIAL OF CONSTRUCTION [OPTIONAL]

	BODY	GATE	SPINDLE	GLAND
1.	CF8	AISI SS304	AISI SS304	CF8
2.	CF8M	AISI SS316	AISI SS316	CF8M
3.	HAST 'C'	HAST 'C'	AISI SS316	CF8M

### MATERIAL SPECIFICATION AND GRADES

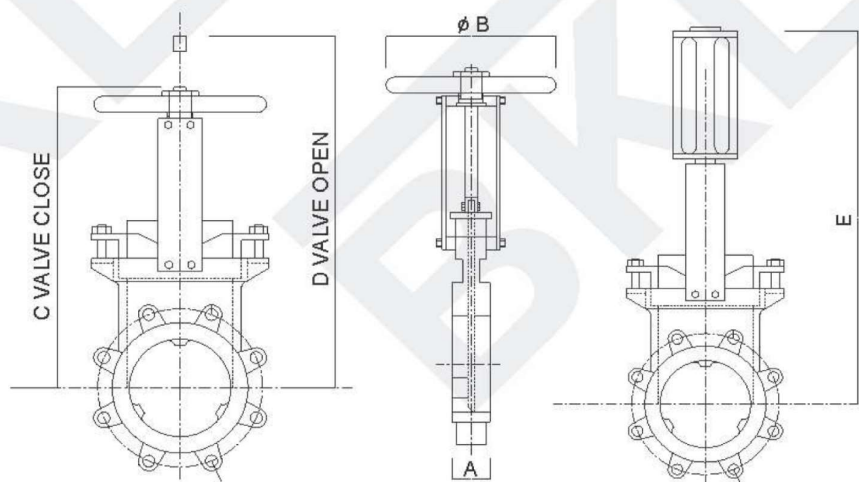
Cast Iron	IS 210 Gr Fg260
Cast Carbon Steel	ASTM A216
Stainless Steel	ASTM A351 Gr CF8, ASTM A351 Gr CF8M
HAST C	Hast Alloy Gr C.

### TEST SPECIFICATION

Body Shell Test	As Per MSS SP - 81 Norms 10 kg/cm <sup>2</sup> Working Pressure 6kg/cm <sup>2</sup>
Seat Leakage Test	Metal Seated Valves as Per MSS SP 81 Norms & Tappi 405 Soft Seated Valves Zero Leakage

### Dimensions :

SIZE	A	ØB	C	D	E
50 MM	48	203	220	275	425
65 MM	51	203	263	228	513
80 MM	51	203	290	370	615
100 MM	51	203	330	490	730
125 Mm	57	254	505	630	925
150 MM	57	254	580	730	1075
200 MM	70	305	665	915	1250
250 MM	70	406	710	960	1300
300 MM	76	406	770	1070	1600
350 MM	76	508	885	1235	1780
400 MM	89	508	1030	1380	1960
450 MM	114	508	1095	1545	2100
500 MM	114	508	1145	1645	2580
600 MM	114	508	1340	1960	3100



Dimensions given above are indicative, please request for certified drawing for piping layout